

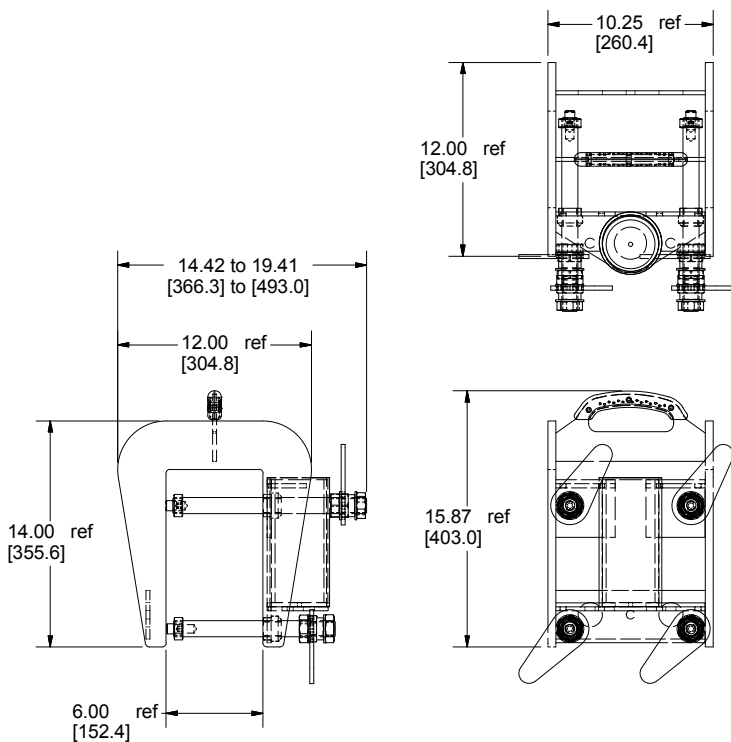


**NATIONAL
TRENCH SAFETY UK**

30161 Barrel Mount



Barrel Mount
Designed to be used with Davit Arms
To fit shoring with a max width of 5"
(127mm)



Product Code:
30161

Conformance:
BS EN 795 TYPE B

Weight:
21kg

Mild Steel with CS-500 finish