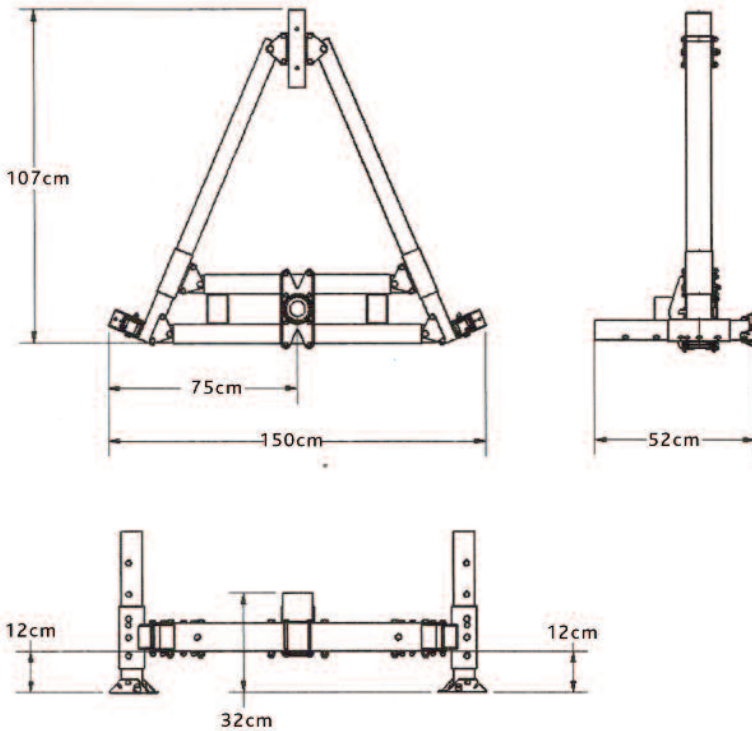




Counterweight Base System
(pictured with an upper and lower mast,
30m winch and rescue harness)
Utilises readily available barbell type
weight plates.
The counterweight has independantly
adjustable legs for use on uneven
ground



Product Code:
30073

Conformance:
BS EN 795 TYPE B

Base Weight:
60kg

Using Offset Masts 30104 Or 30105
For a 4:1 Safety Factor:
360kg of Weights Required per user

Overall Length: 2.08m
Overall Width: 1.5m