

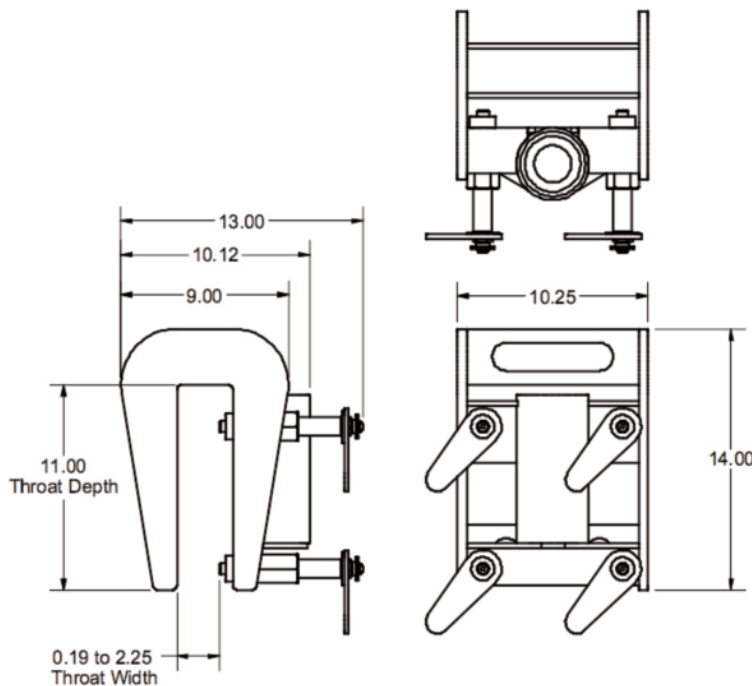


**NATIONAL
TRENCH SAFETY UK**

30036
Barrel Mount



Barrel Mount
Designed to be used with Davit Arms
To fit shoring with a max width of 2.25"
(57mm)



Product Code:
30036

Conformance:
BS EN 795 TYPE B

Weight:
18.14kg

Mild Steel with CS-500 finish

Larger throat width of 5" (127mm)
available -
product code 30161