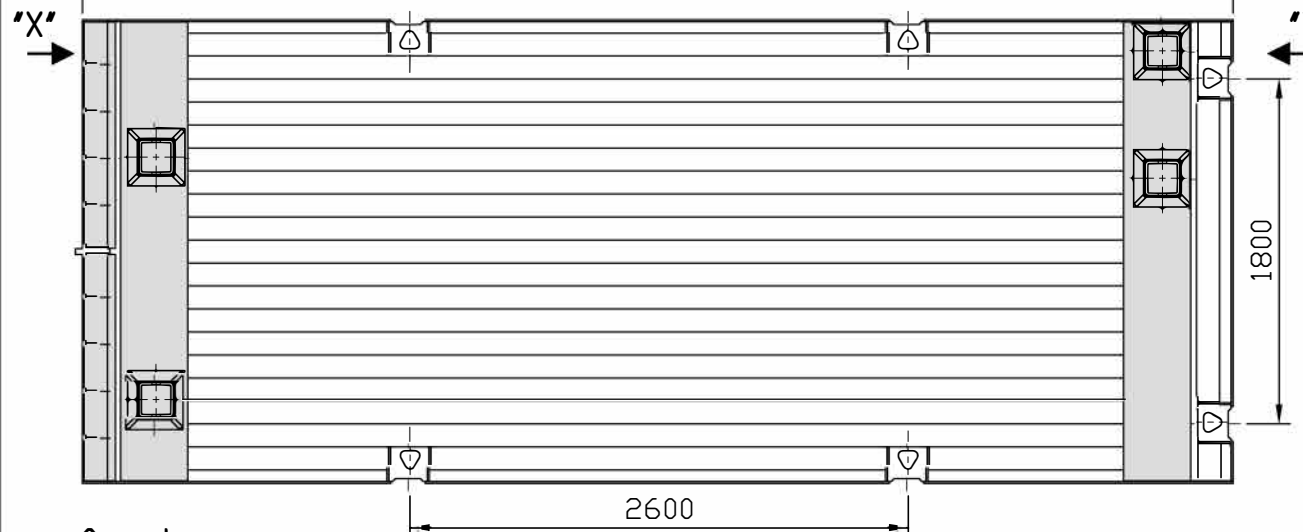
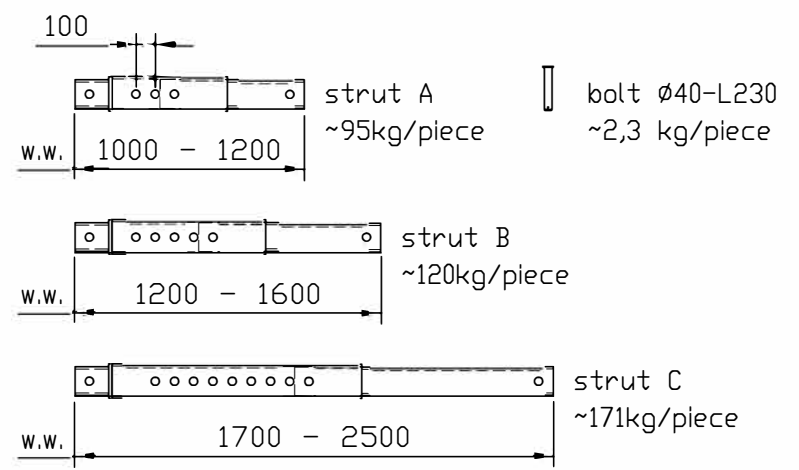
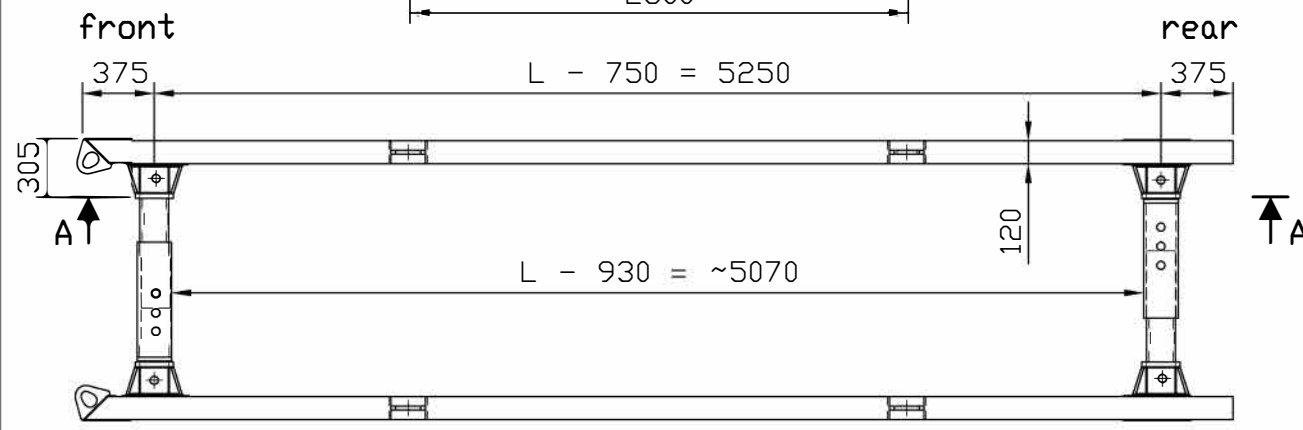
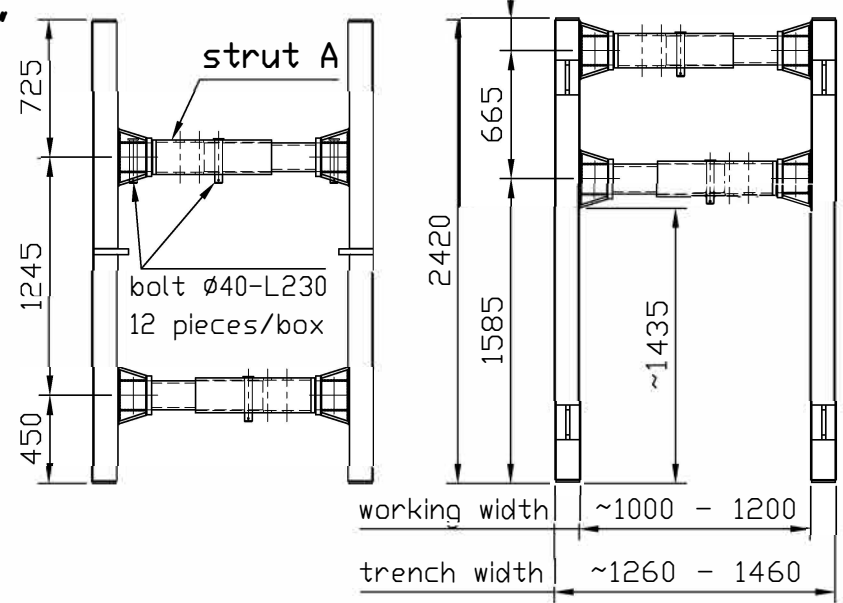


plate length L = 6000 / ~1920 kg/piece



view "X" - front

view "Y" - rear



drag box length mm	box weight			earth pressure kN/m ²
	with strut A kg (~)	with strut B kg (~)	with strut C kg (~)	
6000	4240	4340	4544	32