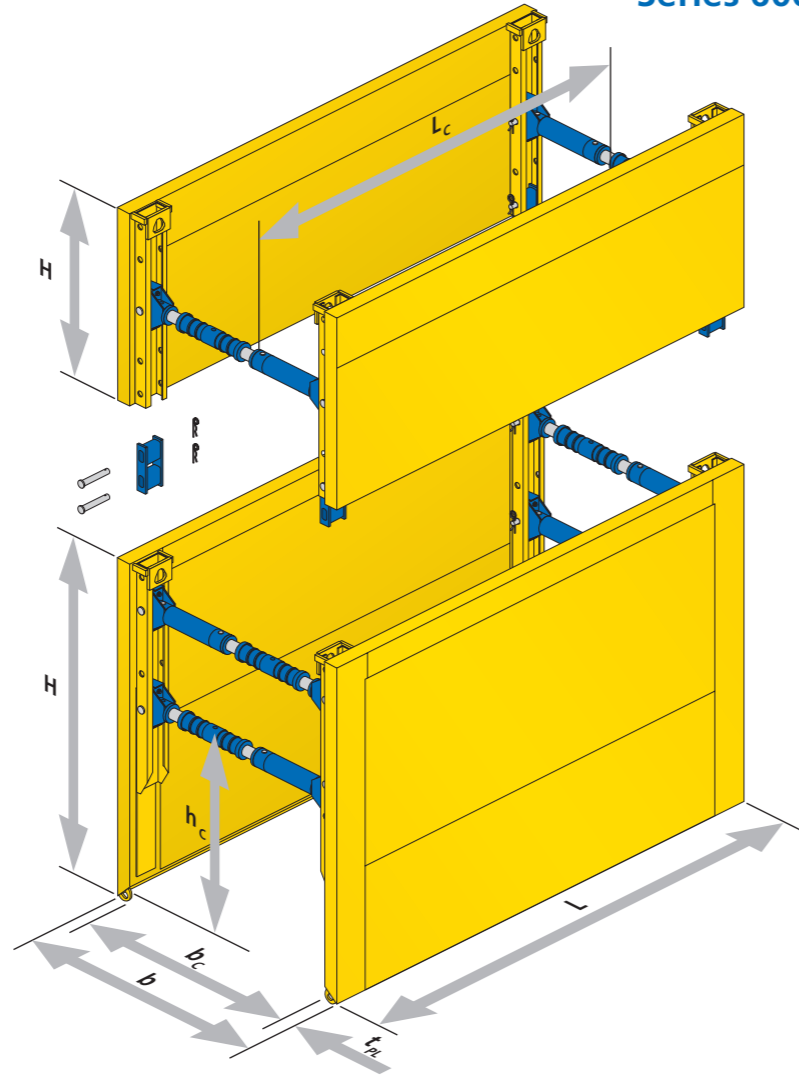


# STANDARD BOX

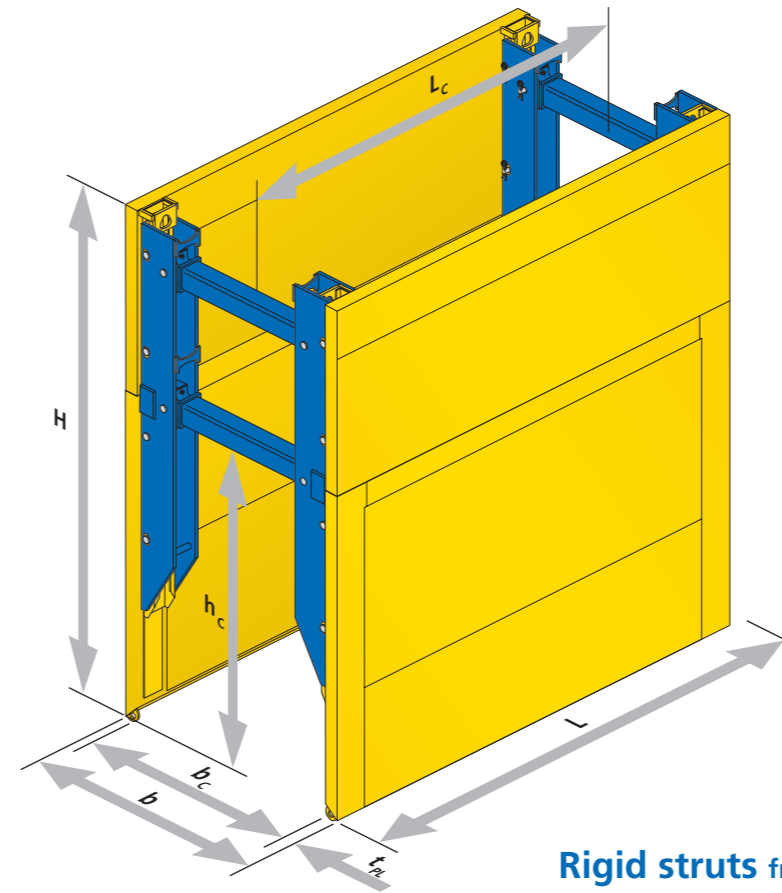
Series 600



## Plates

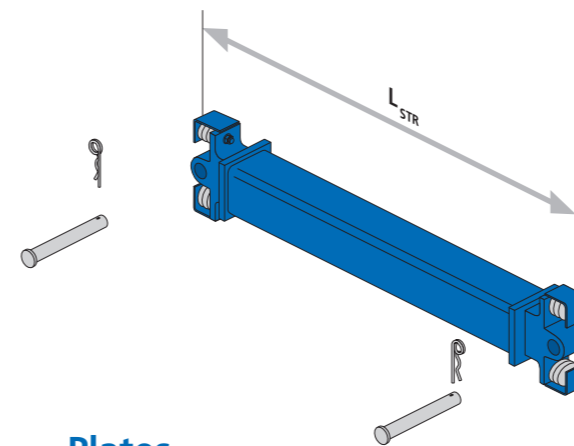
Plate length L [m]	Plate height H [m]	Thickness $t_{PL}$ [m]	Pipe clearance length $L_c$ [m]	Pipe clearance height $h_c$ [m]	Permissible earth pressure [kN/m <sup>2</sup> ]	Weight per box [kg]	
3.00	2.40	107	2.60	1.50	47.5	1950	
	2.60					2075	
	1.40					1205	
3.50	2.40		40.7	3.10	1.50	40.7	2180
	2.60						2320
	1.40						1350
3.70	2.40		38.5	3.30	1.50	38.5	2270
	2.60						2445
	1.40						1410
4.00	2.40		35.6	3.60	1.50	35.6	2400
	2.60						2560
	1.40						1495
4.50	2.40	127	4.10	1.50	33.7	2910	
	2.60					3090	
	1.40					1880	
5.00	2.40		30.3	4.60	1.50	30.3	3160
	2.60						3360
	1.40						2050
5.50	2.40		27.6	5.10	1.50	27.6	3415
	2.60						3635
	1.40						2220
6.00	2.40		24.5	5.60	1.50	24.5	3670
	2.60						3910
	1.40						2390

with transformation profile



## Rigid struts from pipe 150 x 150

Strut length $L_{STR}$ [m]	Working width in between plates [m]	Working width in between transf.-profiles [m]	Permissible compressive force [kN]	Weight [kg]
2.00	2.33	1.72	600	129
2.50	2.83	2.22	600	153
3.00	3.33	2.72	600	176
3.50	3.83	3.22	550	200
4.00	4.33	3.72	500	223
4.50	4.83	4.22	450	247
5.00	5.33	4.72	400	270
5.50	5.83	5.22	350	294
6.00	6.33	5.72	300	317



## Plates

Plate length L [m]	Plate height H [m]	Thickness $t_{PL}$ [m]	Pipe clearance length $L_c$ [m]	Pipe clearance height $h_c$ [m]	Permissible earth pressure [kN/m <sup>2</sup> ]	Weight $b_c = 2,33m$ [kg/box]	
3.00	2.4 + 1.4	107	2.60	2.30	57.0	5220	
	2.6 + 1.4			2.51	47.6	5350	
3.50	2.4 + 1.4		3.10	2.30	48.9	5590	
	2.6 + 1.4			2.51	40.8	5730	
4.00	2.4 + 1.4		3.60	2.30	42.8	5960	
	2.6 + 1.4			2.51	35.7	6120	
4.50	2.4 + 1.4		127	4.10	2.30	38.0	6850
	2.6 + 1.4				2.51	31.8	7040
5.00	2.4 + 1.4			4.60	2.30	34.2	7280
	2.6 + 1.4				2.51	28.6	7480
5.50	2.4 + 1.4			5.10	2.30	29.4	7700
	2.6 + 1.4				2.51	26.0	7920
6.00	2.4 + 1.4	5.60		2.30	24.5	8120	
	2.6 + 1.4			2.51	23.8	8360	